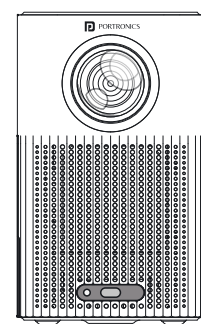


BEEM 500

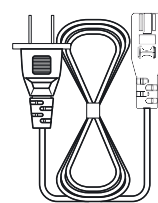
SMART LED PROJECTOR

User Manual

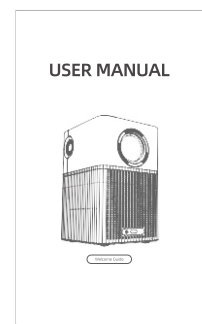
PACKAGE CONTENTS



Projector



AC cable



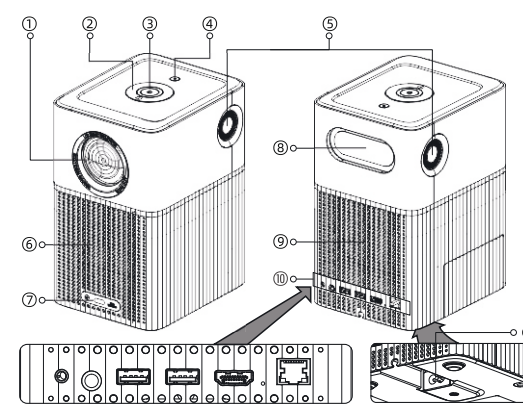
User manual



Remote Control

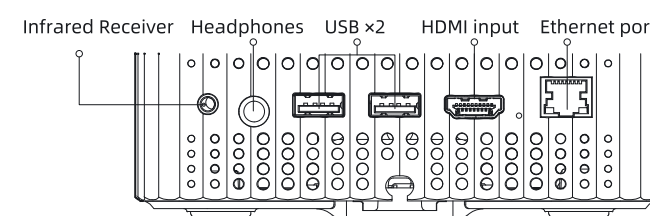
PRODUCT DESCRIPTION

General Description

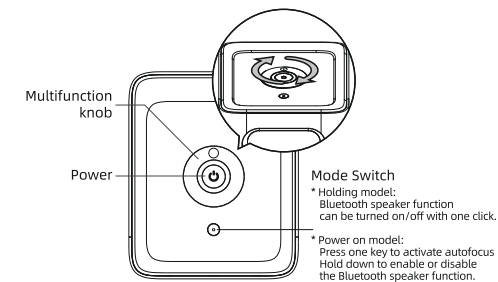


- ① Projection lens
- ② Multi-function knob (including volume, selection, etc.)
- ③ Power button
- ④ Mode button
- ⑤ Speaker
- ⑥ Air outlet (Don't block)
- ⑦ Autofocus Sensor
- ⑧ Heavy bass amplifier
- ⑨ Air intake (Don't block)
- ⑩ Input/output interface
- ⑪ AC power cable interface

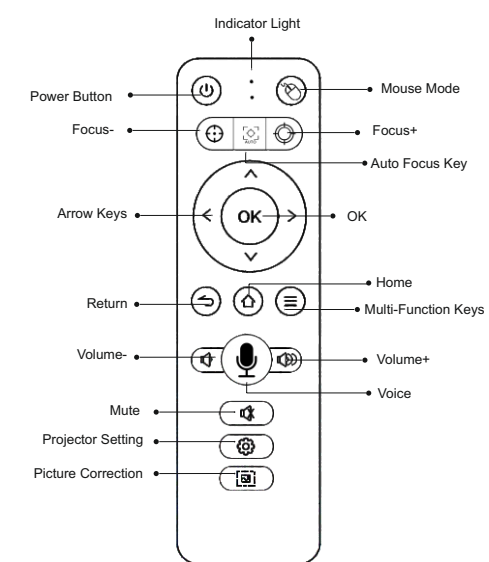
Ports Interface



Top View



Remote control key description



INSTRUCTIONS

Disconnected	No pairing information, press any key of the remote control to enter the pairing mode immediately, and the LED will flash
Disconnected (pairing information but not connected)	If the indicator blinks slowly for three times, no information is displayed
Online	Press the button and the light will flash
Voice Enabled	Keep the light on
Low Power	Light flashing quickly

INDICATOR STATUS & TROUBLESHOOTING

Indicator Description

Working state	Indicator description	
Cable powered	Standby	White breathing light
	Power on	White light Steady on
Bluetooth speaker mode (System on)	Pairing	Blue light fast blinking
	Pairing completed	Colorful light on
Fault state	The temperature is abnormal	Red slow blinking
	The fan is abnormal	Red light fast blinking

Troubleshooting

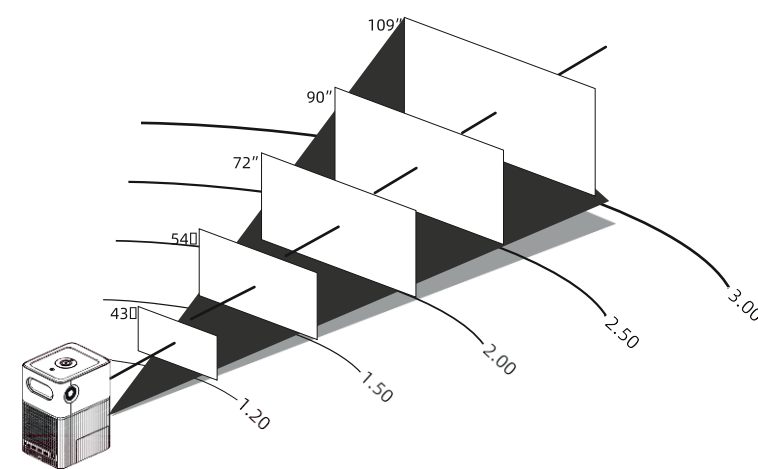
General fault description	
No screen display System crash	Unplug the power cable and restart the system.
Can not be controlled by controller	1. Please check the battery of the remote control is installed correctly or replace it with a new battery and test again. 2. Please test the remote against the remote control receiving window of the projector to confirm.
Can not power on	Please Check the power cable is well connected to the projector.
Automatically shut down when temperature high	Please check the air outlet and inlet of the projector are blocked.
Other system failures	Please contact the after-sales number of the purchase channel.

PROJECTION DISTANCE REFERENCE

Projection size distance table (without keystone correction)

Projection distance (m)	43	54	72	90	109
Screen width x height (m)	0.960x0.539	1.200x0.673	1.600x0.898	2.000x1.122	2.400x1.347
Diagonal screen size (inches)	1.20	1.50	2.00	2.50	3.00

Projection distance reference image



Unit: meter
The actual environment is complex, the parameters are for reference only

PLEASE NOTE

Please read this manual carefully before use and keep it for future reference.

- Avoid exposure of the projector to dust, water / moisture and extreme temperatures.
- This device is not dustproof or waterproof, regularly clean projector vents to avoid cooling malfunction.
- Please use high quality power cord and under specified rated power supply.
- When projector is working, please do not look directly into the lens, the strong light will flash your eyes and cause slight pain. Children should use the projector under the supervision of adults.
- Do not cover the vents of projector and ensure it is in a well-ventilated area when in use, positioned at least 2 feet away from the wall from behind. Heating will reduce the life of projector and cause danger.
- Please cut off the power if the projector is out of use for long time.
- Users or third-party professionals should not attempt to disassemble the projector for testing and maintenance, in which case, the warranty will be void.
- For optimal viewing performance, the projector should be positioned at a height of 5 feet from the ground and at least 5 feet away from the wall or screen in the front.
- Use the remote control from behind the projector for convenient operation.

Note: Any damage caused by physical impact, water/liquid, fire, etc. caused by the customer or nature shall not be covered under warranty. Only product design, feature and functionality-related faults can be considered. As per the brand's discretion, the product is eligible for repair and not for replacement, during the warranty period.