

DASH 4

50W Wireless party Speaker with Wireless Karaoke Mic



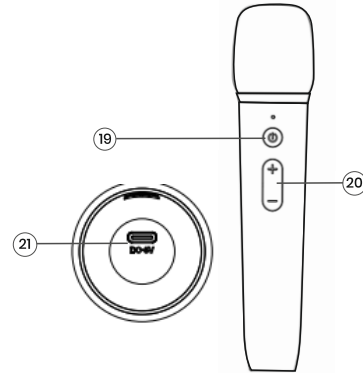
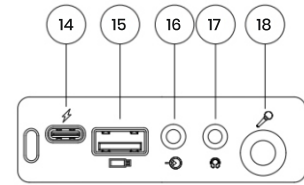
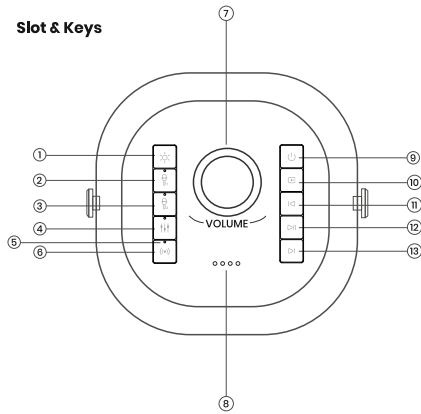
Thank you for purchasing the outdoor Bluetooth speaker Dash 4. To ensure correct operation, please read this user manual carefully before operation.

User Manual

Package Contents

- Portable Wireless Speaker 1N
- Wireless Microphone 1N
- Charging Cable 1N
- User Manual 1N

Slot & Keys



- Short press: Switch the lighting mode
Long press: turn off/on lighting effect
- Short press: Suppress/Restore the vocal in music
Long press : Can make the music playing volume lower automatically and emphasize the vocal. (Under Microphone pairing mode)
Note : the above functions only works when the speaker paired with the included wireless Microphone.
- Short press: Turn on/off wireless microphone connection
- Short press: Switch the EQ mode
- Bluetooth Indicator
- Short press: Enter the Bluetooth mode
Long press for 2s: Disconnected the current paired Bluetooth device
Short press twice: Clear the Bluetooth pairing memory
Note : If the speaker clear the bluetooth pairing memory, when the device need to repair with the speaker, you need to ignore the Dash 4 on your device and start the re-searching the Dash 4 for pairing.

- Anticlockwise rotation : Decrease volume
Clockwise rotation : Increase volume
- Battery capacity indicator
- Long press: Power on/off
- Short press: Mode switching (Bluetooth/FM mode/Auxiliary in/USB mode)
- Short press: Previous track
- Short press: Play / Pause
- Long press: scan and save the FM channel
- Short press: Next track
- Type-C Charging Port
- USB Port
- AUX-In Port
- Headphone Port
- Wired Microphone Port
- Long press : Power on/off
Short press : Change the Microphone's working mode (Speech/Karaoke);
- +/- Short press : Increase/decrease the volume of the Microphone
- Type C Charging Port

Operation Instructions :

Power on/off:

- Long press the button to power on/off the speaker, the battery indicator will light up.
- The default working mode is Bluetooth mode.

Bluetooth Mode :

- Short press the button to enter the Bluetooth mode and the speaker will prompt "Bluetooth", and Bluetooth indicator will flash in blue.
- Turn on the Bluetooth function of your mobile device. Search for Bluetooth devices and connect to "Dash 4". When connected, the speaker will prompt and the Bluetooth indicator will constantly light in blue.
- Please turn on your phone's music player, and speaker will play the selected music.
- The speaker will pair with the latest Bluetooth device automatically when devices are in the pairing range. Long press the button to disconnect the current Bluetooth connection. The speaker will prompt "Bluetooth pairing". Then other Bluetooth devices can find and pair with the speaker.

USB Music Mode :

- Insert the USB device into the speaker.
- Short press the button to enter the USB mode and the speaker will prompt "USB Mode". The speaker will play the USB music directly.

Note: The speaker supports a USB Flash Disk with a maximum capacity of 32GB. Supported audio formats are MP3, WMA, WAV, APE, FLAC.

AUX In Mode :

- Use a 3.5mm audio cable to connect the speaker to an audio source (PC, mobile phone).
- Short press the button to enter Aux in mode and the speaker will prompt "Auxiliary in". The speaker will play the music from the audio source.

FM Radio Mode :

- Short press the button to enter the FM Radio mode and the speaker will prompt "FM mode".
- Short press the buttons to switch to the previous/next channel.
- Long press: scan and save the FM channel.

Note: Pls long press the button to turn off the light of the speakers can achieve better FM reception.

Wireless Mic Mode :

- Short press the button to enter the Wireless mic mode and the button indicator will flash in green.
- Long press the Wireless microphone's button to power on the mic and its indicator will flash in white. The microphone is automatically connected to the speaker. When connected, the speaker will prompt "ding" and the button indicator will constantly light in green. And the wireless microphone's indicator will constantly light in white.
- Short press: Pairing the second microphone: Same steps as pairing the first microphone.
- Long press: Turn on/off backing music mode (Remove vocals and retain accompaniment. Depending on the audio source, the final effect may vary).

Suppress/Restore the vocal of the Playing Music

- Short press the button to suppress vocal in the song, and turn songs into backing tracks, and the speaker will prompt "voice canceling". Similarly, Short press the button to restore song as it is and the speaker will prompt "voice back".

Note: The above functions only works when the speaker paired with the included wireless Microphone

Headphone Mode :

- Power on the microphone and connect it with your device via Bluetooth.
- Insert the 3.5mm headphones to the headphones port.
- Turn on the karaoke/music applications on your device and start your singing or recording.

NOTE : The audio and your singing will play through the headphones instead of microphone in this mode. Enjoy your private singing time.

Light Mode & EQ :

- Short press the button to switch between 6 light modes.
 - Pure color rhythm (every 7 seconds changing one color)
 - Vertical colourful rhythm

- Horizontal colourful rhythm
 - Pure color wave (every 15 seconds changing one color)
 - Colourful breathing
 - Warm light mode
- Long press the button to turn off/on lighting effect.
 - Short press the button to switch between 3 EQ modes : normal, bass and treble.
Bass mode: EQ indicator is flashing in orange
Treble mode: EQ indicator is in orange
Normal mode: EQ indicator light off

Charging the speaker :

- When the battery is low, the speaker will prompt a signal.
- Connect the included USB cable to the speaker.
- During charge, the battery capacity indicator is flashing one by one. When fully charged, the four battery capacity indicators will light on.
NOTE : 1. When speaker with low battery capacity, please charge the speaker immediately.
2. Please use the good quality adaptor to charge the speaker. We suggest use the adaptor specification at 5V/2A.

Intelligent power saving function

The speaker will be automatically powered off in below cases:

- Under Bluetooth mode, the speaker is waiting to pair for more than 10 minutes
- Under USB mode / FM mode / Aux In mode, if press the button to pause/mute for more than 10 minutes.

Note: Please long press button again to power on the speaker

FEATURES

- Bluetooth 5.3v stereo music
- Aux-in
Work as the external speaker by connecting to the audio source of computer, mobile etc.
- USB Flash Disk Music playing
Support MP3/WAV/WMA/FLAC/APE music format, capacity up to 32G
- With voice canceling function can eliminate vocal in songs, and turn songs into backing tracks
- EQ effect adjustment (normal-bass-treble)
- FM Radio
- Voice guide
The speaker will prompt the working mode and status for easy operation.

- Support one 2.4G wireless Microphone
Speaker can support 2pcs wireless Microphones
- Support Crystal glass light show, with different light themes
- With 2 Microphone sound modes: Speech and karaoke
- With battery capacity Indicator

Technical Data :

- Bluetooth Version : V5.3
- RMS Output : 50W
- Wattage : DC 5V-2A
- Aux In : 3.5mm
- Frequency Response : 75Hz - 20KHz
- Speaker built-in Battery : 8000 mAh
- Speaker Charging Time : 4 hours
- Speaker Working Time : 5 hours at 80% volume
- Speaker Water Resistance : IPX5
- Product Size : 170.4 x 161 x 216.2 mm
- Microphone built-in Battery : 3.7V 1800 mAh
- Microphone Sensitivity : -54DB
- Microphone Frequency Range : 70HZ-20KHZ
- Microphone Charging : 5V 1A

Important Safety Instructions

- Do not use the speaker in special cold and hot environments.
- Please avoid the speaker dropping or hitting with a hard object, it may cause other hardware damage.
- Take care when charging the speaker, excessive prolonged charging will damage the battery lifetime. Charge the speaker to full capacity when using for the first time.
- When battery low, the indicator light will flash and voice prompt "battery low", please charge speaker in time.
- If does not use this speaker for long time, please charge at least once within one month, in order to prevent the lithium battery from causing and damaging because of excessive consumption.
- Adjust the volume to appropriate level to avoid disturbing others.