



# Mport 9C

Type-C MultiPort USB HUB

## What's Inside

1 X Mport 9C | 1 X User Manual

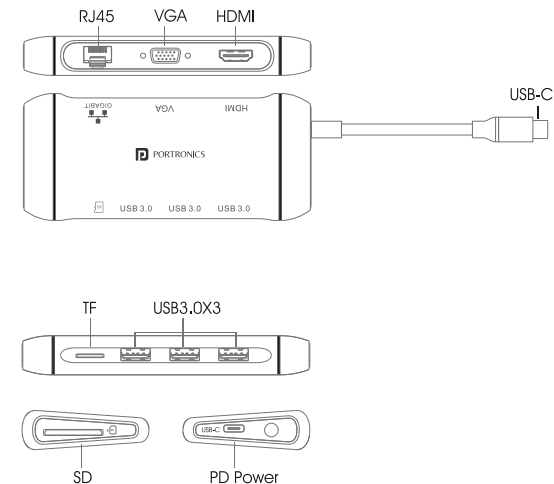
### Features :

- Usable for all smartphones, Tablets, PCs, and laptops with a USB-C interface.
- Use USB drive, mouse, keyboards, Hard disks, etc, simultaneously.
- Compatible with Mac OS, Windows, and Android 7.0 & above.
- Power Drive fast-charging, so you can use your devices while charging them.
- Gigabit Ethernet port, for faster and durable internet speed.
- HDMI+VGA Port, 1080 @ 60Hz, and VGA Devices
- Supports Wake-on-LAN function.

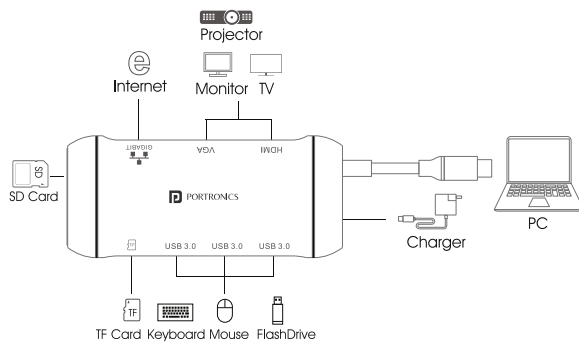
### Specifications :

- Input : USB-C Male
- Output : USB 3.0 X 3 + HDMI X 1 + VGA X 1 + RJ45 X 1 + SD X 1 + TF X 1 + PD X 1
- USB Port : USB 3.0 standard with data transmission speed up to 5Gbps, backward compatible with USB 2.0/1.1
- HDMI Port : Resolution upto 4K X 2K@30Hz
- VGA Port : Resolution upto 1920 X 1080@60Hz
- RJ45 Port : 10/100/1000Mbps Ethernet auto adaptation
- USB C : Support PD Charging up to 100W
- SD/TF Port : 3.0 read/write speed, simultaneous reading supported
- Dimension : L124 X W55 X H17 mm
- Cable Length: 150mm

## Product details



## Connection Method



### IMPORTANT SAFETY INSTRUCTIONS

When used in the directed manner, this unit has been designed and manufactured to ensure your personal safety. However, improper use can result in potential electrical shock or fire hazards. Please read all safety and operating instructions carefully before installation and use, and keep these instructions handy for future reference. Take special note of all warnings listed in these instructions and on the unit.

1. Ventilation – The unit should be situated so that its location or position does not interfere with its proper ventilation. For example, it should not be situated on a bed, sofa, rug or similar surface that may block ventilation openings. Also, it should not be placed in a built-in installation, such as a bookcase or cabinet,

which may impede the flow of air through the ventilation openings.

- Heat – The unit should be situated away from heat sources such as radiators, heat registers, stoves or other appliances (including amplifiers) that produce heat.
- Power Sources – The unit should be connected to a power supply only of the type described in the operating instructions or as marked on the appliance.
- Power-Cable Protection – Power supply cables should be routed so that they are not likely to be walked on or pinched by items placed upon or against them. It is always best to have a clear area from where the cable exits the unit to where it is plugged into an AC socket.
- Cleaning – The unit should be cleaned only using a warm damp cloth. Do not use solvents, etc.
- Attachments – Do not use attachments not recommended by the product manufacturer.
- Overloading – Do not overload wall sockets, extension cords, or integral convenience receptacles as this can result in a risk of fire or electric shock.
- Damage Requiring Service – The unit should be serviced by qualified service personnel when:
  - the power supply cable or plug has been damaged.
  - objects have fallen into or liquid has been spilled into the enclosure. C. the unit has been exposed to rain.
  - the unit has been dropped or the enclosure damaged.
  - the unit exhibits a marked change in performance or does not operate normally.
- Periods of Nonuse – If the unit is to be left unused for an extended period of time, such as a month or longer, the power cable should be unplugged from the unit to prevent damage or corrosion.
- Servicing – The user should not attempt to service the unit beyond those

methods described in the user's operating instructions. Service methods not covered in the operating instructions should be referred to qualified service personnel.

**NOTE :** Any damage caused by physical impact, Water/liquid, fire etc. caused by customer or nature shall not be covered under warranty. Only product design, feature and functionality related faults will be considered.

### NEED MORE INFORMATION ?

- [www.portronics.com](http://www.portronics.com)
- [help@portronics.com](mailto:help@portronics.com)  
+91 9555245245, 011-42413131
- [Product Care](#)
- [Battery operating issue](#)
- [Helpful tips](#)
- [Online User Guide](#)



[www.portronics.com](http://www.portronics.com)

For Support  
 Visit : [www.portronics.com](http://www.portronics.com)  
 Email : [help@portronics.com](mailto:help@portronics.com)  
 Contact No.: +91 9555245245, 011-42413131  
 (Working Hrs.: Monday - Saturday 10:00am - 6:00pm)



E-Waste Management  
 E: [info@3rrecycler.com](mailto:info@3rrecycler.com)  
 For E-Waste J& ROHS compliance refer to [www.portronics.com/ewaste](http://www.portronics.com/ewaste)