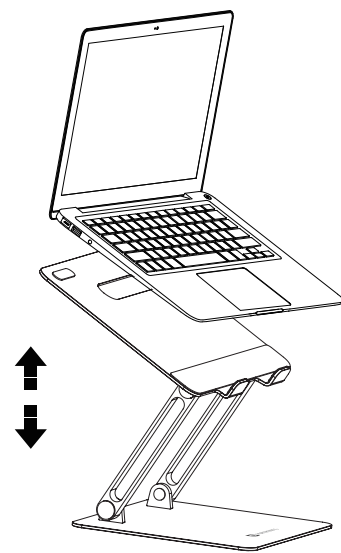


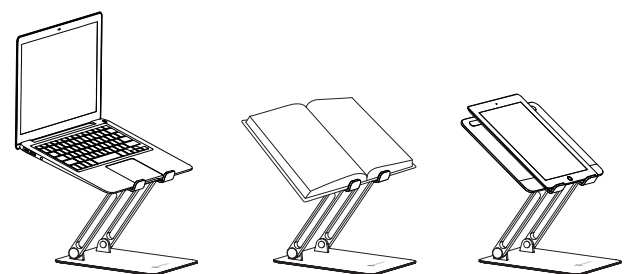
**Package Consists :**

1. Laptop Stand
2. User Manual
3. Tool Set

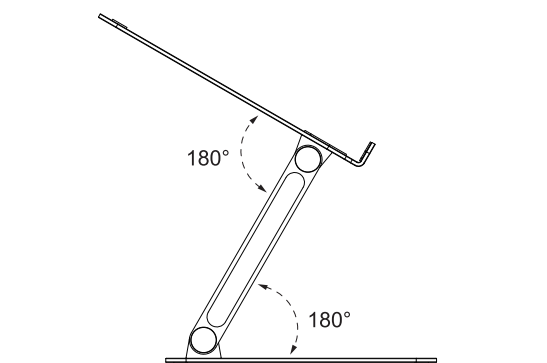
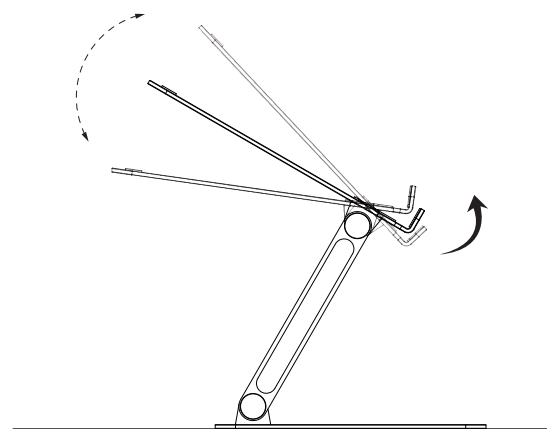
**How to use this product ?**



For 11-15.6" Laptop.  
Compatible with majority of models of laptops,e-readers,and tablets.



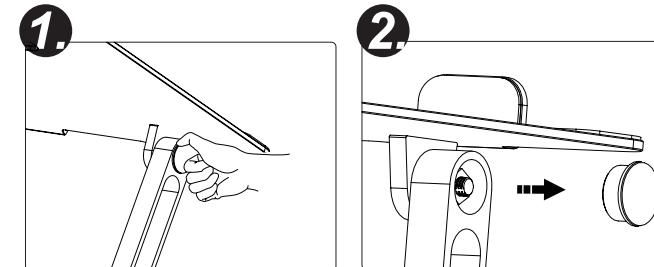
**Angle Adjustment**



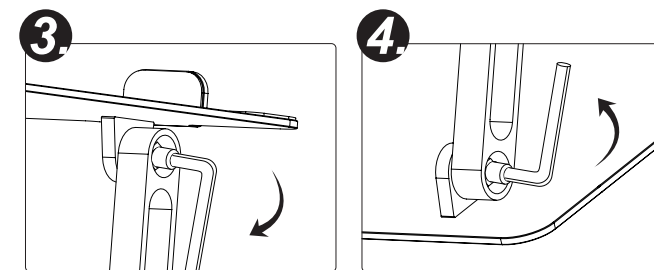
**!**

Note:Parameters mentioned in above figure shows the stand's maximum extent of angle adjustment.Please adjust the viewing angle appropriately and ensure safety of the device.

**Friction Adjustment**



Use your hand to open the side cover supporting axle as above pictures.

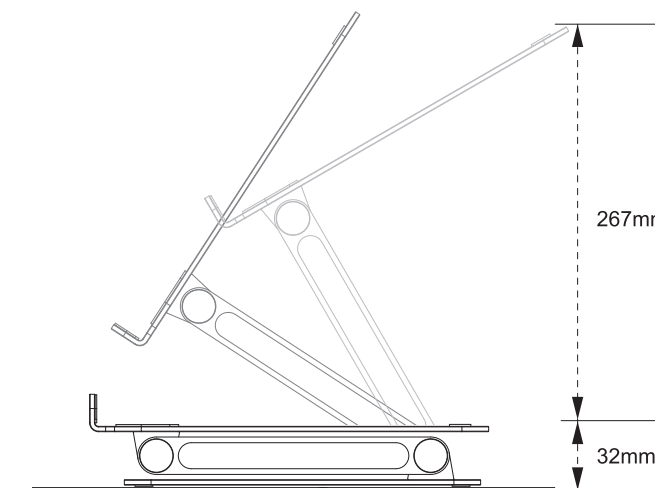


If the friction of hinge is too strong or too little for adjustment,you can use the wrench to adjust.

**!**

If the adjustment goes smoothly and the stand works fine in the first place, then no action is required. Please ignore this step.

**Product Height**



Above figure shows the reconmmended use range, but the stand is not fully extended in the figure.  
The parameters mentioned in the figure are subject to actual data in use.Please use parameters as reference and ensure safety of the device.

**DO's/Don't's**

1. Don't put too much body weight on the laptop stand.
2. Keep it away from Water, it can damage your laptop stand by causing rust
3. Use compatible devices only. In case if your laptop is more than the mentioned size, it can fall.
4. Adjust the height slowly and steadily.
5. Don't use it for keeping heavy objects. It is meant for laptop or reading books.

NOTE : Any damage caused by physical impact, fire etc caused by customer or nature shall not be covered under warranty. Only product design, feature and functionality related faults will be considered.

[www.portronics.com](http://www.portronics.com)

For Support

Visit : [www.portronics.com](http://www.portronics.com)

Email : [help@portronics.com](mailto:help@portronics.com)

Contact No. : +91 9555245245 , 011-42413131

(Working Hrs. : Monday - Saturday 10:00am - 6:00pm)