



SOUND SLICK IV

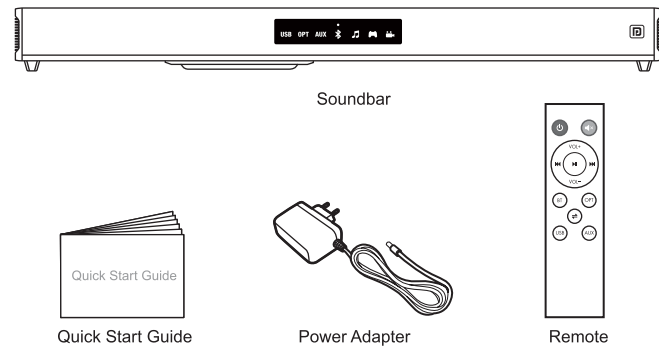
120W Wireless Soundbar

USER MANUAL



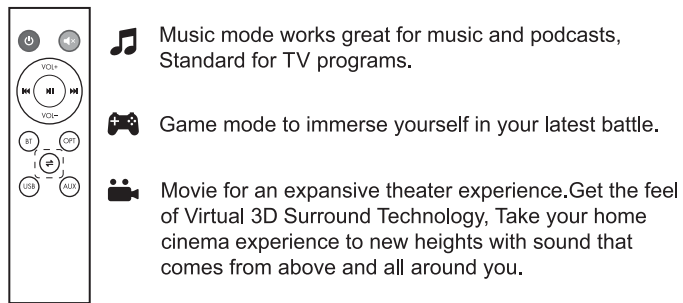
What's Inside

Before using your product, read all safety information carefully

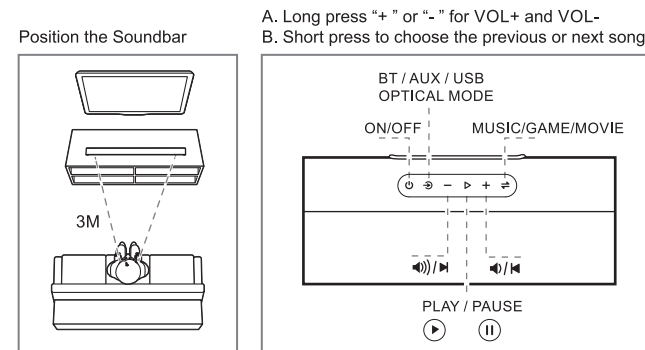


Customize Your Experience

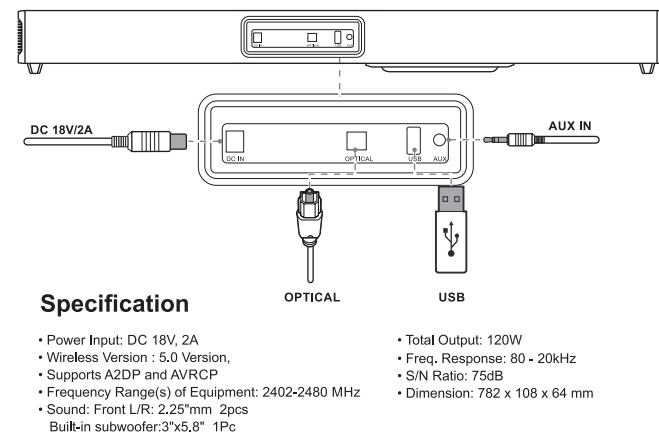
With three different sound modes, you can match your sound to your content and your mood!



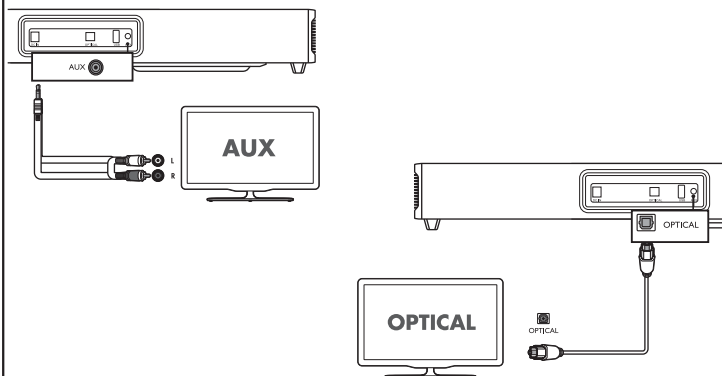
1 Introduction



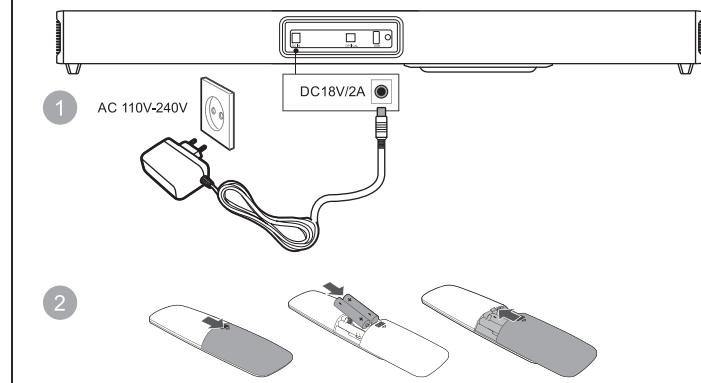
2 Connect the Soundbar



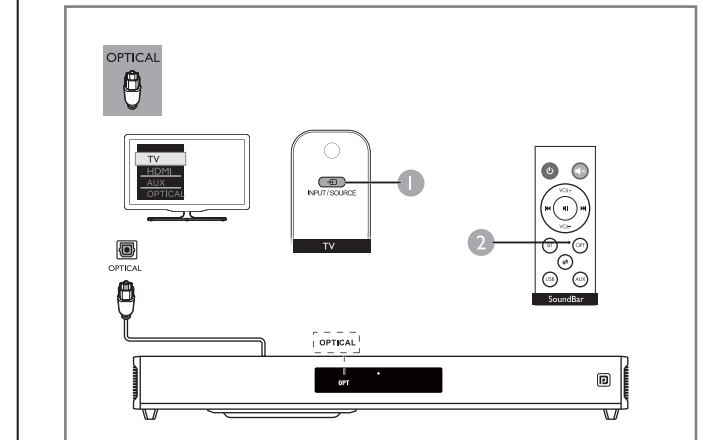
4 Hear audio from TV in one of the following ways



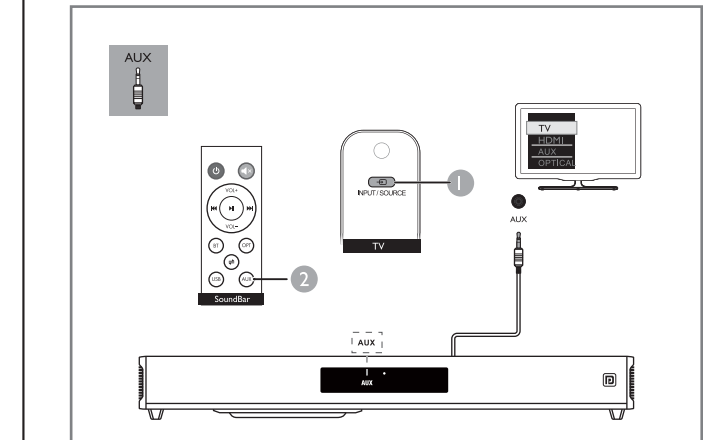
5 Switch on the SoundBar



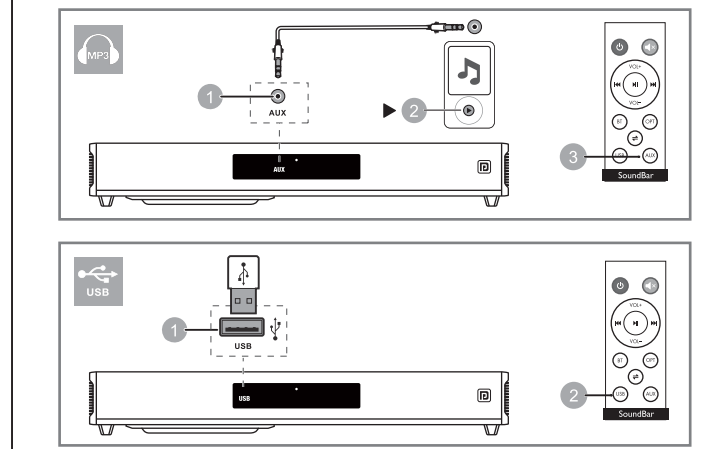
6 Select the correct audio source



3



7 Play other devices



8 Play audio through Bluetooth

